



## FEATURES

- High capacity tub at 23 cubic yards water and 33 cubic yards strike-off
- Single cylinder design prevents corner cracking
- Electric mesh tarp system with kick out sensor
- Tub hooks on each side
- Bolt-on push block
- 1/4" AR450 steel tub



## INNOVATIVE SAFETY FEATURES

The XL Side Dump features easy-to-use tub hooks on each side of the trailer. When one side is disengaged, the other side is automatically engaged, ensuring that the tub is always secure. The tarp sensor prevents the trailer from dumping if the tub is covered.

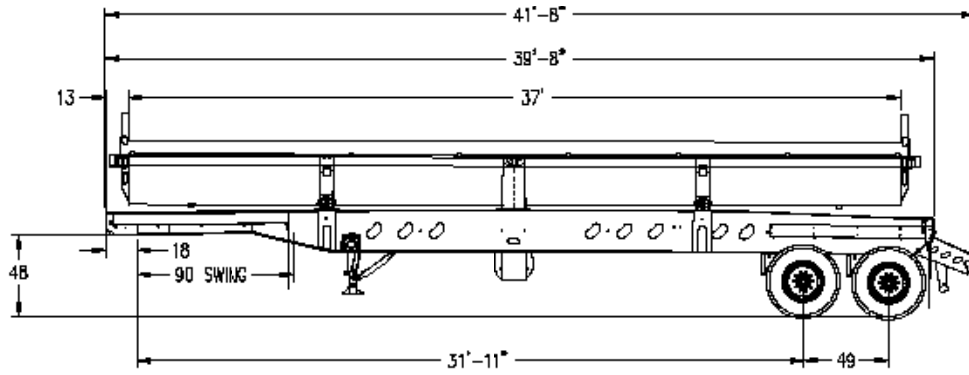
## DURABLE & EFFICIENT DESIGN

The SD2-37 tub offers a large capacity at 23 cubic yards water level and 33 cubic yards strike-off. Haul more with the large, durable tub built from 1/4" AR450 steel. Built to last with XL's high quality standards, the XL Side Dump offers a reliable dump solution. Backed with a two-year structural warranty, the crack-resistant design is ready to be put to work with your next aggregate job.

DESIGNED FOR YOU. BUILT TO LAST.

[www.xlspecializedtrailer.com](http://www.xlspecializedtrailer.com) | 877.283.4852

# XL SIDE DUMP SPECS



## CAPACITY

capacity: 60,000 lb overall

## OVERALL LENGTH & WIDTH

overall length: 39' 8"

overall width: 102"

## FRAME

18" kingpin setting

90" swing clearance

48" fifth wheel height

2 speed landing gear

grease zerks in fifth

wheel plate

removable kingpin

dual intensity cluster lights

bolt-on high density poly

fenders front and rear

(6) lights per side

bolt-on removable push block

hydraulic control valve

## FRAME OPTIONS

cab control box with tarp

lookout sensor

Air Weigh digital scale

## TUB

37' rolled tub

water level volume: 23 cubic yards

strike off volume: 33 cubic yards

1/4" AR450

42° dump angle

Aero Side Kick 2 mesh tarp

## SUSPENSION

air ride 260

## AXLES

(2) 25,000 nominal

49" axle spacing

2S1M with spring brakes on

2 axles

## WHEELS & TIRES

8.25 x 22.5 steel rims

11R / 22.5 tires

## WHEEL & TIRE OPTIONS

PSI tire inflation system

aluminum polished wheels

aluminum milled wheels

## LIGHTING

12V sealed Grote harness

rubber mounted LED lights

2 tail light package

2 clearance lights per side

1 mid-turn light per side

7 pole electric socket

## PAINT

black, IH red, CAT yellow,

white

air & electric done after paint

## PAINT OPTIONS

non-standard paint colors

non-standard metallic paint

## WARRANTY

2 year structural

2 year paint

1 year parts

## AVAILABLE MODELS

XL 60 SD2-37

XL 60 SD3-37