



XL 60 SD2-37 XL 60 SD3-37



FEATURES

- High capacity tub at 23 cubic yards water and 33 cubic yards strike-off
- Single cylinder design prevents corner cracking
- Electric mesh tarp system with kick out sensor
- Tub hooks on each side
- Bolt-on push block
- 1/4" AR450 steel tub



INNOVATIVE SAFETY FEATURES

The XL Side Dump features easy-to-use tub hooks on each side of the trailer. When one side is disengaged, the other side is automatically engaged, ensuring that the tub is always secure. The tarp sensor prevents the trailer from dumping if the tub is covered.

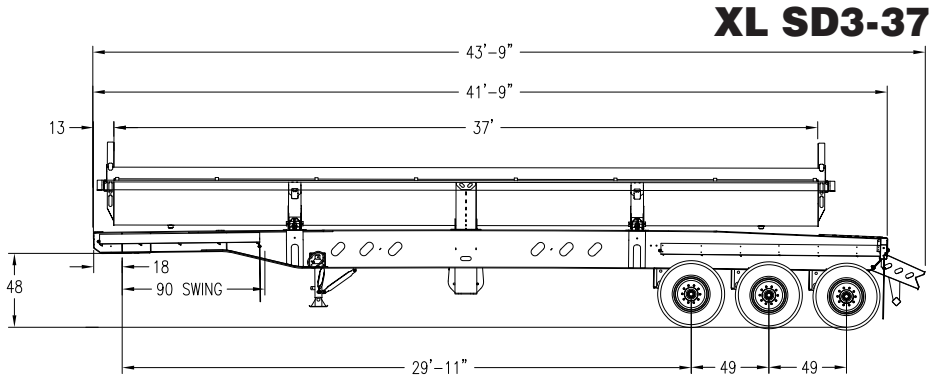
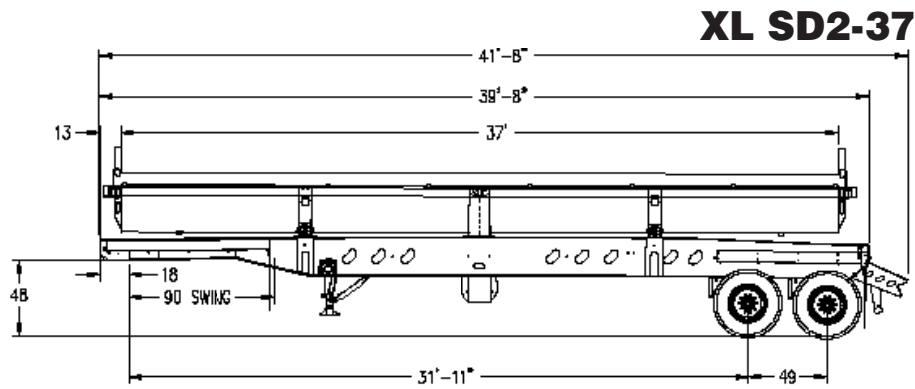
DURABLE & EFFICIENT DESIGN

The SD2-37 and SD3-37 tub offers a large capacity at 23 cubic yards water level and 33 cubic yards strike-off. Haul more with the large, durable tub built from 1/4" AR450 steel. Built to last with XL's high quality standards, the XL Side Dump offers a reliable dump solution. Backed with a two-year structural warranty, the crack-resistant design is ready to be put to work with your next aggregate job.

DESIGNED FOR YOU. BUILT TO LAST.

www.xlspecializedtrailer.com | 877.283.4852

XL SIDE DUMP SPECS



CAPACITY

capacity: 60,000 lb overall

OVERALL LENGTH & WIDTH

overall length: 39' 8" (2-Axle)
 overall length: 41' 9" (3-Axle)
 overall width: 102"

FRAME

18" kingpin setting
 90" swing clearance
 48" fifth wheel height
 2 speed landing gear
 grease zerks in fifth wheel plate
 removable kingpin
 dual intensity cluster lights
 bolt-on high density poly fenders front and rear
 (6) lights per side
 bolt-on removable push block
 hydraulic control valve

FRAME OPTIONS

cab control box with tarp
 lookout sensor
 Air Weigh digital scale

TUB

37' rolled tub
 water level volume: 23 cubic yards
 strike off volume: 33 cubic yards
 1/4" AR450
 42° dump angle
 Aero Side Kick 2 mesh tarp

SUSPENSION

air ride 260

AXLES

(2) or (3) 25,000 nominal
 49" axle spacing
 2S1M with spring brakes on 2 axles

WHEELS & TIRES

8.25 x 22.5 steel rims
 11R / 22.5 tires

WHEEL & TIRE OPTIONS

PSI tire inflation system
 aluminum polished wheels
 aluminum milled wheels

LIGHTING

12V sealed Grote harness
 rubber mounted LED lights
 2 tail light package
 2 clearance lights per side
 1 mid-turn light per side
 7 pole electric socket

PAINT

black, IH red, CAT yellow, white
 air & electric done after paint

PAINT OPTIONS

non-standard paint colors
 non-standard metallic paint
 two-tone, tub and frame

WARRANTY

2 year structural
 2 year paint
 1 year parts

AVAILABLE MODELS

XL 60 SD2-37
 XL 60 SD3-37
 XL 60 SD4-37

Custom specs: A-Train, B-Train

DESIGNED FOR YOU. BUILT TO LAST.

www.xlspecializedtrailer.com | 877.283.4852